



# RM and RMS

## Fuse disconnect switches

for industrial and high speed (uR) cylindrical fuses up to 125 A

Fuse protection



### The solution for

- > Small outputs

### Strong points

- > Improved safety
- > High breaking capacity
- > Specific format and accessory
- > Label holder

### Large range

- > Pre-break, please consult us

### Compliance with standards

- > IEC 60269-2,-1
- > IEC 60269-1
- > IEC 60269-2
- > NF EN 60269-1
- > NF C 63-210
- > NF C 63211
- > VDE 0636-10
- > DIN 43620
- > CSA 265615
- > UL E307648



### Approvals and certifications<sup>(1)</sup>



(1) Product reference on request.

### Function

**RM** and **RMS** are modular fuse disconnect switches for cylindrical fuses. They provide safety disconnection and protection against overloads and short-circuits in any low voltage electrical circuit.

- RM: Non-signalling fuse disconnect switches for fuses without strikers.
- RMS: Fuse disconnect switches with pre-break auxiliary contact, position and blown indication.

### Advantages

#### Improved safety

- Omnipolar and simultaneous breaking.
- High dielectric strength. IP2X protection.

#### Specific format and accessory

- Modular 45-mm cut-out.
- Interlocking with accessory possible.

#### High breaking capacity

Protection against overloads and short-circuits thanks to high breaking capacity fuses (100 kA rms).

## References

### RM - Non-signalling device

Basic device Fuse size	32 A <sup>(1)</sup> 10 x 38		50 A <sup>(2)</sup> 14 x 51		100 A <sup>(2)</sup> 22 x 58	
	To be ordered in multiples of	Reference	To be ordered in multiples of	Reference	To be ordered in multiples of	Reference
No. of poles						
1 P	12	5701 0015	6	5702 5001	6	5703 5001
1 P + N (1 module)	12	5701 5005				
1 P + N (2 modules)	6	5701 0017	3	5702 5005	3	5703 5005
1 P LED signalling	12	5701 0011	6	5702 0011	6	5703 0011
2 P	6	5701 0020	3	5702 5002	3	5703 5002
3 P	4	5701 0018	2	5702 5003	2	5703 5003
3 P + N	3	5701 0019	1	5702 5004	1	5703 5004
4 P			1	5702 5006	1	5703 5006
N	12	5701 0016	6	5702 5000	6	5703 5000

(1) Devices are cURus and CSA-certified, except 5701 5005.

(2) Devices are cURus-certified.

### RMS - Device with 1 signalling auxiliary contact (AC) <sup>(1)</sup>

Basic device Fuse size	50 A <sup>(2)</sup> 14 x 51		100 A <sup>(2)</sup> 22 x 58	
	To be ordered in multiples of	Reference	To be ordered in multiples of	Reference
No. of poles				
1 P	6	5702 5011	6	5703 5011
2 P	3	5702 5012	3	5703 5012
3 P	2	5702 5013	2	5703 5013
3 P + N	1	5702 5014	1	5703 5014
4 P	1	5702 5016	1	5703 5016

(1) The signalling auxiliary contact provides the pre-break, the fuse presence and also blown fuse signal.

(2) Devices are cURus-certified.

### Something to think about



10x38 RMs equipped with 0.5A gG fuses provide effective protection for voltage inputs and auxiliary power supplies for all our electronic devices (DIRIS, COUNTIS, ISOM, RESYS differential relays, etc...)

# RM and RMS

## Fuse disconnect switches

for industrial and high speed (uR) cylindrical fuses up to 125 A

### Accessories

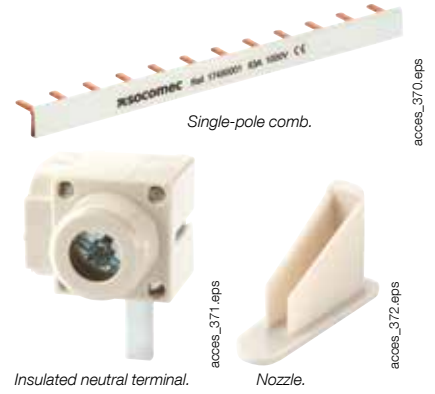
#### Connection accessories for RM 32 A 10 x 38

##### Comb bridging connection

Designation	Cross-section (mm <sup>2</sup> )	Reference
Unipolar comb with 12 modules	10	1749 0001
Unipolar comb with 13 modules	10	1749 0011
Unipolar comb with 57 modules	10	1749 0021
Unipolar comb with 12 modules	16	1749 0031
Unipolar comb with 13 modules	16	1749 0041
Unipolar comb with 57 modules	16	1749 0051
Nozzle		1749 8001

##### Connection terminals

Designation	Reference
Insulated neutral terminal for a 6 to 25-mm <sup>2</sup> cable, side input	1749 9001
Insulated neutral terminal for a 6 to 50-mm <sup>2</sup> cable, side input	1749 9002
Fully insulated power feed terminal for a 6 to 25-mm <sup>2</sup> cable, side input	1749 9003
Right/left insulated terminal, 6 x 25 mm <sup>2</sup>	1749 9004



### Auxiliary contact

#### Use

- 1 or 2 NO/NC auxiliary contacts:
- Pre-break, fuse presence and fuse blown signalling for RMS 50 and 100.
- Fuse blown signalling for RM 50 and 100.

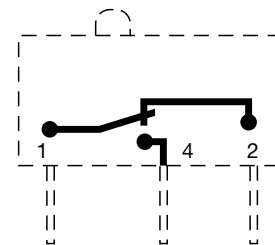
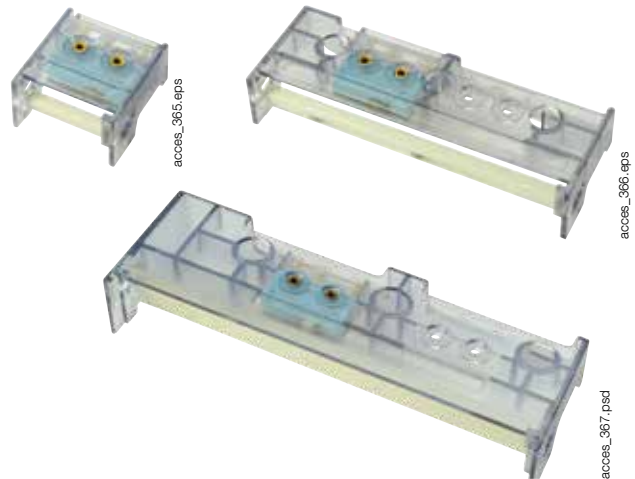
#### Connection

By 6.35 mm fast-on terminal.

Characteristics		Operating current I <sub>e</sub> (A)
Rating (A)	Contact type	250 VAC AC-13
50 ... 100	NO/NC contact	2.5
50 ... 100	Two-level NO/NC contact	0.1

References		
NO/NC contact		
Rating (A)	Contact	Reference
50	1 P with 1 AC	5702 9901
50	3 P with 1 AC	5702 9903
50	3 P with 2 AC	5702 9030
100	1 P with 1 AC	5703 9901
100	3 P with 1 AC	5703 9903
100	3 P with 2 AC	5703 9030

Low level NO/NC auxiliary contact		
Rating (A)	Contact	Reference
50	1 P with 1 AC	5702 9911
50	3 P with 1 AC	5702 9913
100	1 P with 1 AC	5703 9911
100	3 P with 1 AC	5703 9913



# RM and RMS

## Fuse disconnect switches

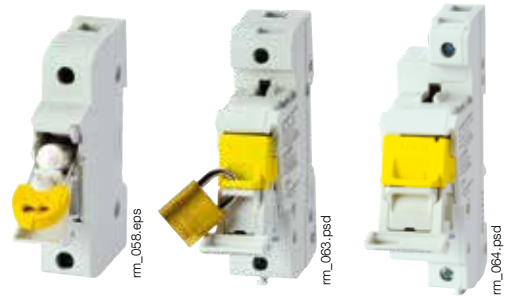
for industrial and high speed (uR) cylindrical fuses up to 125 A

### Key handle interlocking system

#### Use

Padlocking of the handle (padlock not supplied).

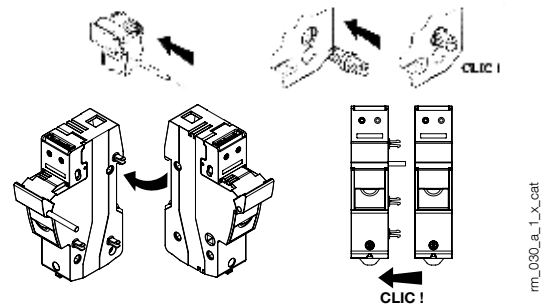
For RM and RMS		
Rating (A)	Quantity (units)	Reference
32	5	5701 9040
50	5	5702 9040
100	5	5703 9040



### Coupling system for RM

For RM and RMS		
Rating (A)	Quantity (units)	Reference
32	12	5704 0003 <sup>(1)</sup>
50 ... 100	12	5702 9020 <sup>(1)</sup>

<sup>(1)</sup> One coupling device allows to link two RM/RMS. Also sold in bags containing separate components (bags of 100 pieces) for assembling larger quantities. Contact us



### Reinforced insulation kit

Rating (A)	Reference
32	5701 9010 <sup>(1)</sup>

<sup>(1)</sup> 1 reference = 1 set of 10 couplings.



# RM and RMS

## Fuse disconnect switches

for industrial and high speed (uR) cylindrical fuses up to 125 A

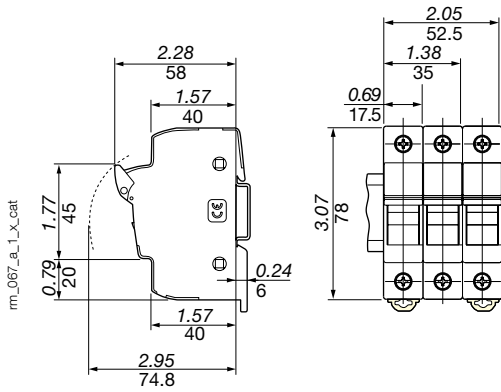
### Characteristics according to IEC 60269-2

#### 32 to 100 A

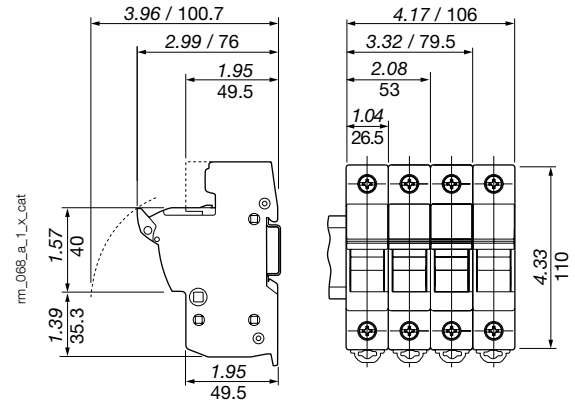
Thermal current $I_{th}$ (20°C)	32 A	50 A	100 A
Fuse size	10 x 38	14 x 51	22 x 58
Rated insulation voltage $U_i$ (V)	690	690	690
Rated fuse dissipated power (W/P)	3	5	9.5 (max 12 W)
Protection degree	IP20	IP20	IP20
<b>Fuse rating (A)</b>			
at 400 VAC	32	50	125
at 500 VAC	32	50	125
at 690 VAC		50	125
<b>gG fuse protected short-circuit withstand</b>			
	<b>Rated voltage</b>		
Prospective short-circuit current (kA rms)	690 VAC	100	100
Prospective short-circuit current (kA rms)	400/500 VAC	120	120
<b>Design current derating coefficient for N poles side by side</b>			
N = 1 ... 3	1	1	1
N = 4 ... 6	0.8	0.8	0.8
N = 7 ... 9	0.7	0.7	0.7
N ≥ 10	0.6	0.6	0.6
<b>Design current derating coefficient depending on the temperature</b>			
20°C	1	1	1
30°C	0.95	0.95	0.95
40°C	0.90	0.90	0.90
50°C	0.80	0.80	0.80
60°C	0.70	0.70	0.70
70°C	0.60	0.60	0.60
<b>Connection</b>			
Minimum Cu cable cross-section rigid / flexible	0.75 mm <sup>2</sup>	1.5 mm <sup>2</sup>	1.5 mm <sup>2</sup>
Maximum Cu cable cross-section rigid	16 mm <sup>2</sup>	35 mm <sup>2</sup>	50 mm <sup>2</sup>
Maximum Cu cable cross-section rigid for RM32 1 P + N (1 module)	10 mm <sup>2</sup>		
Maximum Cu cable cross-section flexible	16 mm <sup>2</sup>	25 mm <sup>2</sup>	35 mm <sup>2</sup>
Maximum Cu cable cross-section flexible for RM32 1 P + N (1 module)	6 mm <sup>2</sup>		
Tightening torque	2.5 Nm	3 Nm	4 Nm
Tightening torque for RM32 1 P + N (1 module)	2 Nm		
<b>Dimensional data</b>			
Weight of 1 P / N (kg)	0.057 / 0.06	0.1	0.155
Weight of 1 P + N (kg)	0.117	0.215	0.327
Weight of 3 P + N (kg)	0.229	0.415	0.632

### Dimensions (in/mm)

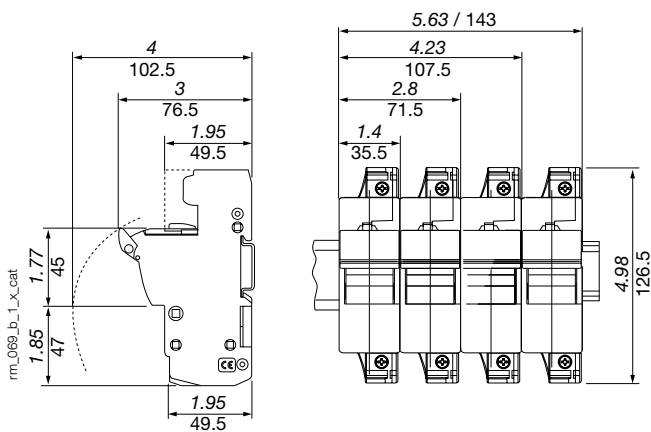
#### RM 32 A



#### RM / RMS 50 A unipolar and multipolar



#### RM / RMS 100 A unipolar and multipolar



#### RM 32 A Réf 5701 5005

